

RINSTRUM D740 REMOTE DISPLAY



HARDWARE

- 120mm Day-Bright LED Digits
- Dual Row LED's for High Clarity
- 60 Metres Viewing Distance
- 110-240VAC, 50-60Hz
- Powder Coated Aluminium Extrusion
- Weather-Proof Sealing
- Shatter-Proof Glass Window
- 850L x 202H x 109mm D, 3.4kg

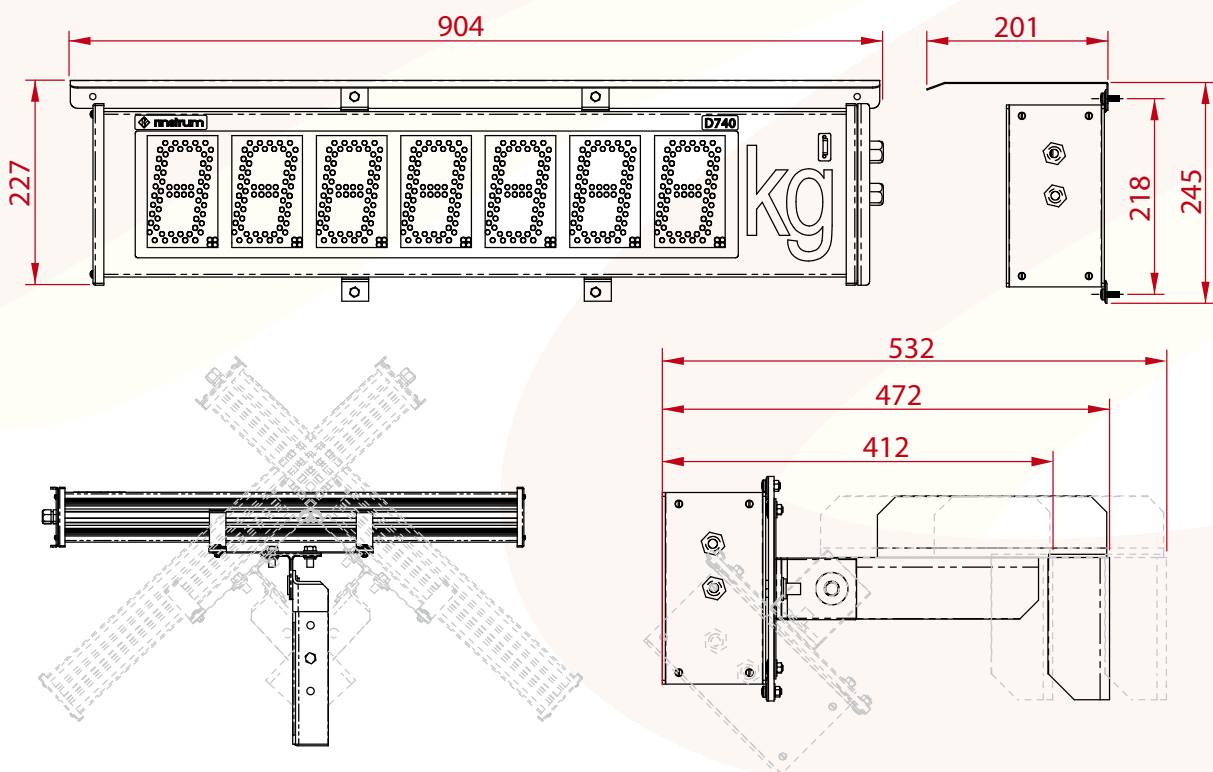
FUNCTIONALITY

- Displays Numeric Characters
- RS-232/RS-485/20mA Serial Inputs
- RS-232 rin-LINK Port
- Flash ROM
- Available With 4-7 Digits
- Status Annunciators Available
- kg, lb and t Stickers
- Hi/Lo Brightness Input

SOFTWARE

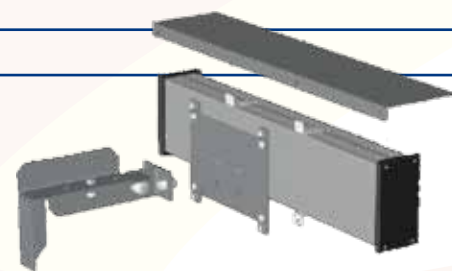
- Auto-Detects Rinstrum Formats
- Decimal Point Auto-Selection
- PC and PLC Serial Input Mode
- Custom Formats Available
- Predictive Error Messages
- Auto-Selects Port and Baud Rate
- Trade Compatibility With Many Indicators

DIMENSIONS



SPECIFICATIONS

PERFORMANCE	
Display	Up to 7 "DAY-BRIGHT" LED Digits, 120mm high by 78mm wide, each digit contains 68 high intensity, wide angle LED's arranged into dual rows for improved digit definition. Status annunciators Motion, Centre of Zero and Net are available on some models.
Visibility	Up to 60 metres
Update Rate	10Hz
Operating Environment	Temperature -10 to +50°C, humidity < 90% non-condensing
DIGITAL	
Setup	Fully automatic for Rinstrum indicators and PC Mode using appropriate strings. Semi-Automatic for other compatible brands.
Memory Retention	Full non-volatile operation
SERIAL COMMS	
Data Port	RS-232 – two wire (receive only) 20mA serial current loop two wire (receive only) RS-485 – two wire (receive only)
Flash Port	rin-LINK IR port on housing front
POWER SUPPLY	
	110 - 240VAC 50 - 60 Hz 25W
HOUSING	
Body Size	850mm (L) x 202mm (H) x 109mm (D)
Display Window	Shatter-proof glass, 671mm x 141mm
Weight	3.4kg
Construction	Powder coated aluminium extrusion
FEATURES	
Status Annunciators	Motion, Centre of Zero and Net mode available on most models
Decimal Point Position	Automatic assignment in software Manual over-ride and adhesive stickers supplied
APPROVALS	
	Complies with S1/0 for auxiliary devices
	C-Tick (N2708), CE and FCC
MOUNTING ACCESSORIES	
Supplied	Wall mounting clips supplied
Options	0314; Post/pole-mounting plate 0317; Weather-hood 0319; Swivel-mounting kit (needs 0314)



MOUNTING ACCESSORIES

Accuweigh Pty Ltd

WESTERN AUSTRALIA (HEAD OFFICE):
PHONE: (08) 9259 5535

SOUTH AUSTRALIA OFFICE:
PHONE: (08) 8447 5011

NEW SOUTH WALES (SYDNEY) OFFICE:
PHONE: (02) 9728 4877



www.accuweigh.com.au

VICTORIA OFFICE:
PHONE: (03) 9548 5554

NEW SOUTH WALES (NEWCASTLE) OFFICE:
PHONE: (02) 4966 8900

QUEENSLAND OFFICE:
PHONE: (07) 3265 5520