



### FEATURES

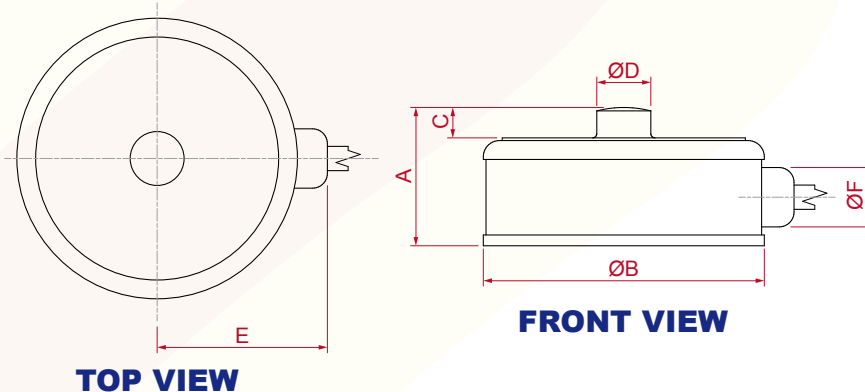
- Fully Welded Stainless Steel
- IP-68 Sealing, Fully Wash Down Proof
- Ideal for Tanks and Hoppers
- Replaces the LPX Series

### CABLE

COLOUR	DESIGNATION
Red	+ Excitation
Black	- Excitation
Green	+ Signal
White	- Signal

4.5mm-5mm,  
Screened, PUR  
Sheath, 4-Core

### DIMENSIONS



Capacity	A	B	C	D	E	F	Cable	Weight
100kg, 250kg, 500kg, 1t, 2.5t	25.0	52.0	5.0	10.0	31.0	10.5	3m	0.4kg
5t, 10t	35.0	100.0	7.0	20.0	55.0	10.5	5m	1.7kg
25t	50.0	115.0	10.0	32.0	62.5	10.5	10m	3.2kg
50t	55.0	155.0	13.0	45.0	82.5	10.5	10m	7.0kg

All Dimensions in mm Unless Noted Otherwise



### TECHNICAL DATA

Signal Output at Capacity	2mV/V ±0.02mV
Linearity Error	<0.070% FSO
Non-Repeatability	<0.050% FSO
Hysteresis	<0.050% FSO
Creep (30 Minutes)	<0.070% FSO
Zero Balance	<1% Capacity
Temperature Effect on Span (/10°C)	<0.025% FSO
Temperature Effect on Zero (/10°C)	<0.025% FSO
Operating Temperature Range	-20°C to +65°C
Compensated Temperature Range	-10°C to +50°C
Storage Temperature	-50°C to +85°C

Service Load	100% Capacity
Safe Load	150% Capacity
Safe Side Load	10% Capacity
Ultimate Load	300% Capacity
Input Resistance	410Ω Nominal
Output Resistance	350Ω ±3Ω
Insulation Resistance	>5,000MΩ @ 50VDC
Excitation Voltage (Recommended)	5V to 15V AC/DC
Excitation Voltage (Maximum)	20V AC/DC
Material	17-4PH Stainless Steel
Sealing	IP-68

**Accuweigh Pty Ltd**

WESTERN AUSTRALIA (HEAD OFFICE):  
PHONE: (08) 9259 5535

SOUTH AUSTRALIA OFFICE:  
PHONE: (08) 8447 5011

NEW SOUTH WALES (SYDNEY) OFFICE:  
PHONE: (02) 9728 4877

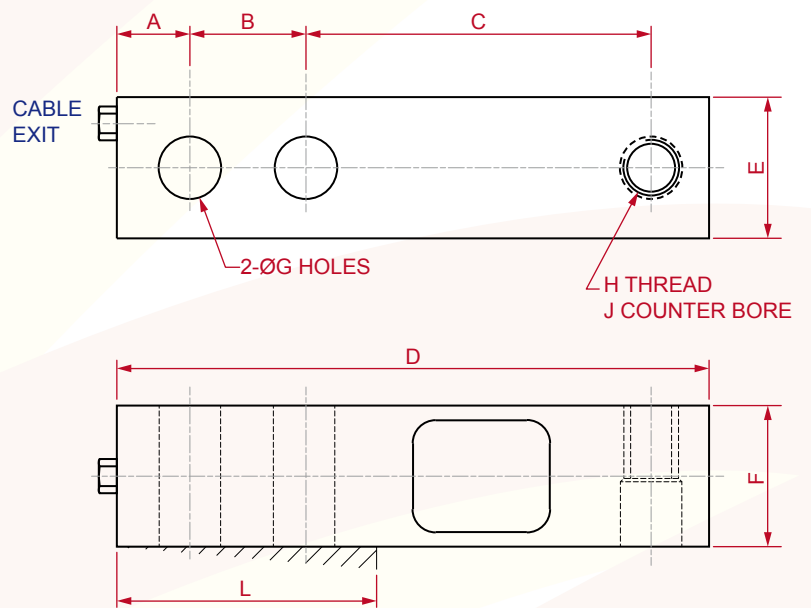


[www.accuweigh.com.au](http://www.accuweigh.com.au)

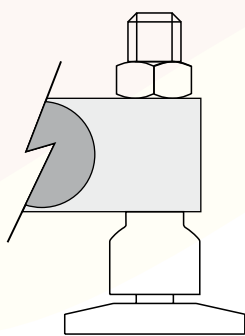
VICTORIA OFFICE:  
PHONE: (03) 9548 5554

NEW SOUTH WALES (NEWCASTLE) OFFICE:  
PHONE: (02) 4966 8900

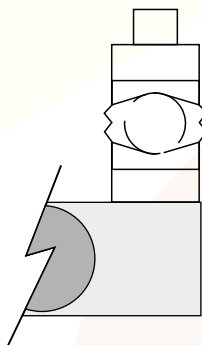
QUEENSLAND OFFICE:  
PHONE: (07) 3265 5520



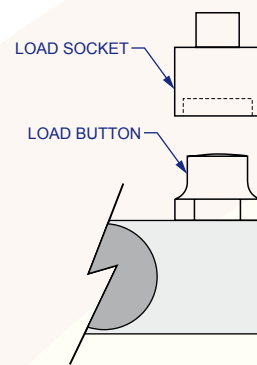
## MOUNTING ACCESSORIES



SWIVEL FOOT



BALL & CUP



LOAD SOCKET &  
BUTTON