



### DESCRIPTION

The LPX Series is a very versatile range of low-profile compression disc loadcells with capacities ranging from 25kg to 50t.

Its IP-67 rating and rugged construction makes it ideal for use in hostile environments and most compression applications.

### APPLICATIONS

- Low Profile Platform Scales
- Hoppers and Tank Weighing
- Process Weighing
- Hostile Environments
- Industrial Weighing
- Mini Disk Applications

### FEATURES

- Miniature Compression Type
- Replaces Similar Low Cost Models
- Rugged Tool Steel Construction (100kg to 50t)
- Rugged Aluminium Construction (25kg and 50kg)
- Designed for Economical Weighing
- Corrosion Resistant Electroless Nickel Plated
- Standard Compression Mount Available
- Simple Installation
- Three Year Warranty
- Sealed to IP-67 Standards
- ISO 9001 Certified Manufacturing Facilities

### CABLE

Type 5.5mm, Screened, PVC Sheath, 0.24mm<sup>2</sup> (24 AWG)

Length: 3m, 4-Core (25kg ~ 2.5t)  
5m, 6-Core (5t ~ 10t)  
10m, 6-Core (25t ~ 50t)

COLOUR	DESIGNATION
Red	+ Excitation
Black	- Excitation
Brown	+ Sense
Blue	- Sense
Green	+ Signal
White	- Signal



### TECHNICAL DATA

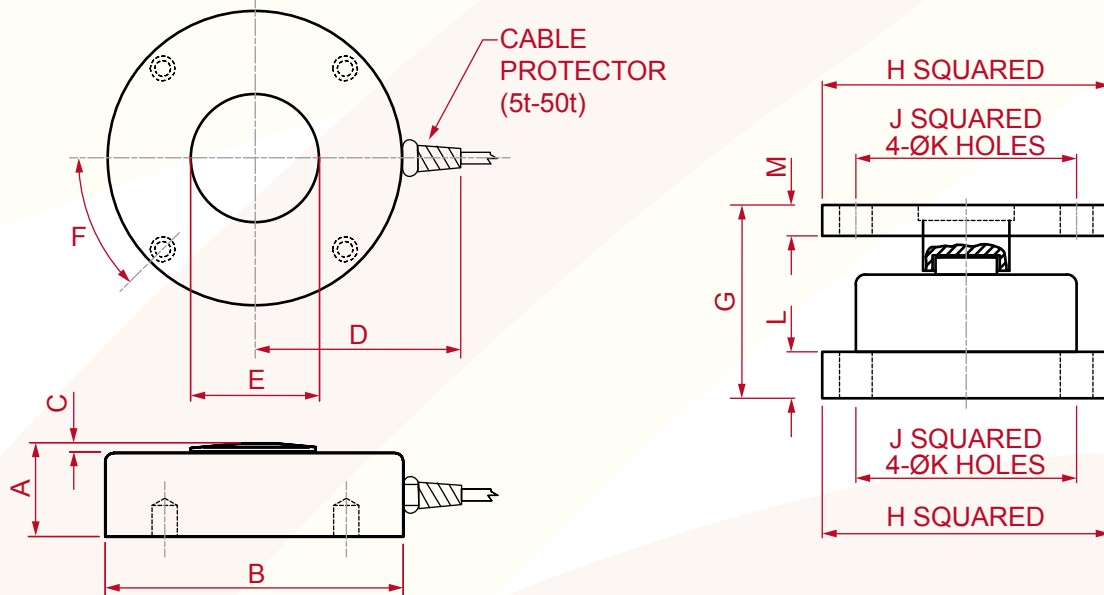
Nominal Capacity	25kg to 50t
Signal Output at Capacity	2mV/V ±0.1%
Linearity Error	<0.1% FSO
Non-Repeatability	<0.07% FSO
Creep/Zero Return (30 Minutes)	<0.07% FSO
Temperature Effect on Span/10°C	<0.01% FSO
Temperature Effect on Zero/10°C	<0.07% Capacity
Compensated Temperature Range	-10°C to +50°C
Operating Temperature Range	-30°C to +70°C
Service Load	100% of Rated Capacity
Safe Load	150% of Rated Capacity
Ultimate Failure Load	300% of Rated Capacity

Input Resistance	410Ω Nominal
Output Resistance	351Ω Nominal
Insulation Resistance (Bridge to Ground)	>5,000MΩ
Insulation Resistance (Cable to Ground)	>1,000MΩ
Excitation Voltage (Recommended)	5V to 20V AC/DC
Excitation Voltage (Maximum)	25V AC/DC
Environmental Finish	IP-67
Material Finish	Tool Steel (100kg to 50t) Aluminium (25kg and 50kg)

# DIMENSIONS

Capacity	A	B	C	D	E	F
25kg - 1t	22	52	4	30	10	M5 x 0.8 on 44 PCD
2.5t	25	52	4	30	10	M5 x 0.8 on 44 PCD
5t	30	100	5	95	20	M6 x 1.0 on 85 PCD
10t	35	100	5	95	20	M6 x 1.0 on 85 PCD
25t	50	115	10	100	32	M12 x 1.75 on 90 PCD
50t	55	155	12	125	45	M12 x 1.75 on 130 PCD

All Dimensions in mm Unless Noted Otherwise



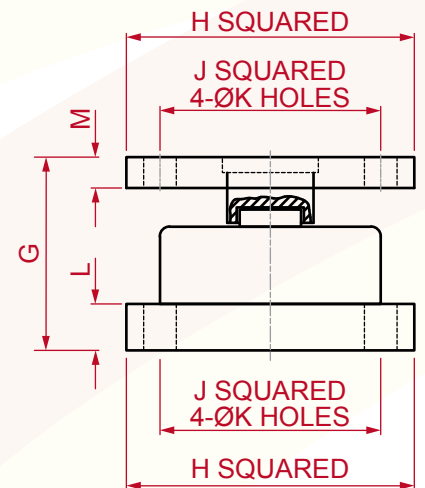
## MOUNTING ACCESSORIES

The complete mount below is used with the LPX in compression load applications.

This mount has convenient bolt holes located on both the top and bottom plates, integral side restraint is accommodated by the special restraining socket.

Capacity	A	B	C	D	E	F
25kg - 1t	55	100	65	Ø14	11.5	11.5
2.5t	58	100	65	Ø14	11.5	11.5
5t	76	125	100	Ø14	15	15
10t	81	125	100	Ø14	15	15
25t	100	150	115	Ø17	24	16
50t	115	180	135	Ø17	31	16

All Dimensions in mm Unless Noted Otherwise



## Accuweigh Pty Ltd

WESTERN AUSTRALIA (HEAD OFFICE):  
PHONE: (08) 9259 5535

SOUTH AUSTRALIA OFFICE:  
PHONE: (08) 8447 5011

NEW SOUTH WALES (SYDNEY) OFFICE:  
PHONE: (02) 9728 4877



[www.accuweigh.com.au](http://www.accuweigh.com.au)

VICTORIA OFFICE:  
PHONE: (03) 9548 5554

NEW SOUTH WALES (NEWCASTLE) OFFICE:  
PHONE: (02) 4966 8900

QUEENSLAND OFFICE:  
PHONE: (07) 3265 5520