



DESCRIPTION

The LPC Series is a range of popular industry standard, universal low profile high accuracy loadcells. Compact in design, the LPC is eccentric load compensated, and temperature compensated -10 to 50°C.

Available in seven different capacities from 1t to 100t. Fully environmentally sealed and supplied with quality 6 core PVC screened cable. Constructed in tool steel and corrosion resistant electroless nickel plated finish. The LPC directly replaces many International standard models and has a wide range of mounting accessories for both compression and tension applications.

Supplied with quality six core PVC screened cable. Standard compression and tension accessories allow simple installation and enhanced lifelong accuracy.

APPLICATIONS

- Materials Testing in Compression or Tension
- High Capacity Tension Weighing, Overhead Weighing, Cranes, etc.
- Low Profile is Ideal for Compression Weighing of Hoppers, Tanks and Silo Weighers

FEATURES

- Low Profile
- 0.05% Accuracy
- Large Capacity range 1t ~ 100t
- Comprehensive Mounting Accessory Packages

CABLE

COLOUR	DESIGNATION
Red	+ Excitation
Black	- Excitation
Brown	+ Sense
Blue	- Sense
Green	+ Signal
White	- Signal

Type 5.5mm, Screened, PVC Sheath, 6 Core x 0.24mm² (24 AWG)

Length: 3m (1t ~ 5t)
5m (10t ~ 25t)
10m (50t ~ 100t)



TECHNICAL DATA

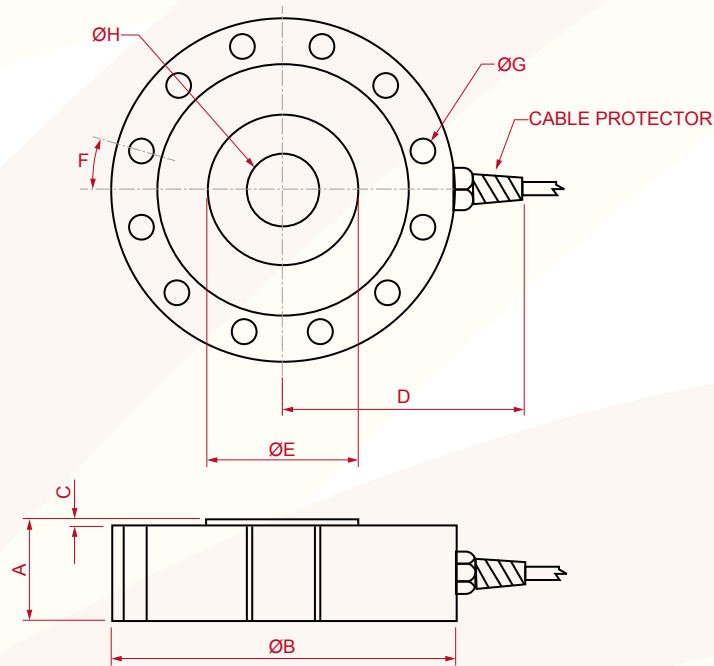
Nominal Capacity	1t to 100t
Signal Output at Capacity	2mV/V ±0.1%
Linearity Error	<0.05% FSO
Non-Repeatability	<0.02% FSO
Combined Error	<0.05% FSO
Hysteresis	<0.05% FSO
Creep/Zero Return (30 Minutes)	<0.03% FSO
Zero Balance	<2.00% Capacity
Temperature Effect on Span/10°C	<0.02% FSO
Temperature Effect on Zero/10°C	<0.025% Capacity
Compensated Temperature Range	-10°C to +50°C
Operating Temperature Range	-30°C to +70°C
Service Load	100% of Rated Capacity

Safe Load	150% of Rated Capacity
Ultimate Load	300% of Rated Capacity
Input Resistance	820Ω Nominal
Output Resistance	705Ω Nominal
Insulation Resistance (bridge to Ground)	>5,000MΩ @ 100VDC
Insulation Resistance (Cable to Ground)	>1,000MΩ @ 100VDC
Excitation Voltage (Recommended)	5V to 20V AC/DC
Excitation Voltage (Maximum)	25V AC/DC
Storage Temperature Range	-50°C to +70°C
Material Finish	Tool Steel, Electroless Nickel Plated

DIMENSIONS

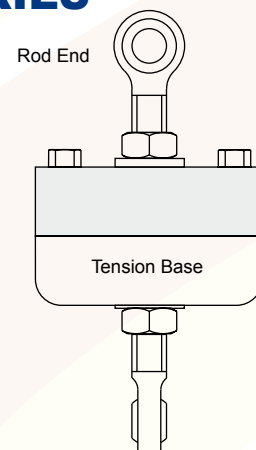
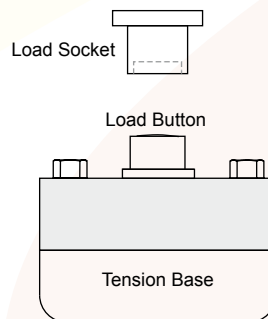
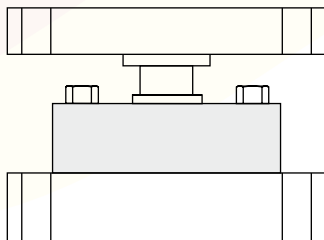
Capacity	A	B	C	D	E	F	G	H	Weight
1t	35	105	3	95	35	22.5°	8 Holes - Ø6.5 PCD 88.9	5/8" -18tpi UNF	1.6kg
2.5t	35	105	3	95	35	22.5°	8 Holes - Ø6.5 PCD 88.9	5/8" -18tpi UNF	1.6kg
5t	35	105	3	95	35	22.5°	8 Holes - Ø6.5 PCD 88.9	5/8" -18tpi UNF	1.6kg
10t	44.5	155	3	125	65	15°	12 Holes - Ø10.5 PCD 130.2	1 1/4" -12tpi UNF	4.7kg
25t	44.5	155	3	125	65	15°	12 Holes - Ø10.5 PCD 130.2	1 1/4" -12tpi UNF	4.7kg
50t	63.5	205	6.5	145	95	11.25°	16 Holes - Ø 3 PCD 165.1	1 3/4" -12tpi UNF	11.7kg
100t	90	280	13	185	125	11.25°	16 Holes - Ø17.5 PCD 228.6	2 3/4" - 8tpi UNF	29.5kg

All Dimensions in mm Unless Noted Otherwise



MOUNTING ACCESSORIES

LPC & MOUNTING SET



Accuweigh Pty Ltd

WESTERN AUSTRALIA (HEAD OFFICE):
PHONE: (08) 9259 5535

SOUTH AUSTRALIA OFFICE:
PHONE: (08) 8447 5011

NEW SOUTH WALES (SYDNEY) OFFICE:
PHONE: (02) 9728 4877



www.accuweigh.com.au

VICTORIA OFFICE:
PHONE: (03) 9548 5554

NEW SOUTH WALES (NEWCASTLE) OFFICE:
PHONE: (02) 4966 8900

QUEENSLAND OFFICE:
PHONE: (07) 3265 5520