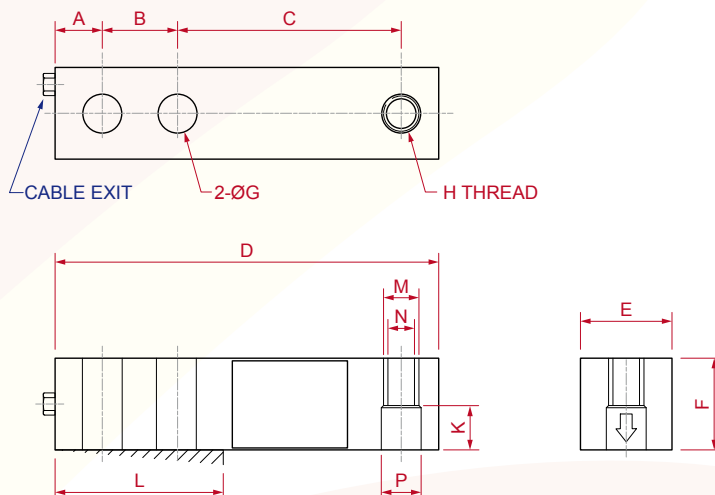




### DIMENSIONS



### DESCRIPTION

The LCSB Series is a low-cost, tool steel shearbeam loadcell with capacities ranging from 500kg to 5t. Its IP-67 sealing makes it ideal for harsh environments.

Capacity	A	B	C	D	E	F	G	H	K	L	P	Weight
500kg, 1,000kg, 1,500kg, 2,000kg	15.8	25.4	76.2	130.0	31.8	31.8	13.5	M12 x 1.75	16.0	57.2	13.5	0.9kg
2,500kg, 3,000kg, 5,000kg	19.1	38.1	95.3	171.5	38.1	38.1	19.8	M18 x 1.5	19.0	76.2	19.8	1.9kg

All Dimensions in mm Unless Noted Otherwise

### TECHNICAL DATA

Signal Output at Capacity	3mV/V ±0.25%
Linearity Error	<0.020% FSO
Non-Repeatability	<0.010% FSO
Combined Error	<0.030% FSO
Hysteresis	<0.030% FSO
Creep/(30 Minutes)	<0.030% FSO
Zero Balance	<1% Capacity
Temperature Effect on Span (/10°C)	<0.02% FSO
Temperature Effect on Zero (/10°C)	<0.02% FSO
Operating Temperature Range	-35°C to +65°C
Compensated Temperature Range	-10°C to +40°C
Storage Temperature	-50°C to +85°C

Service Load	100% Capacity
Safe Load	150% Capacity
Safe Side Load	100% Capacity
Ultimate Load	300% Capacity
Input Resistance	350Ω ±3Ω
Output Resistance	350Ω ±3Ω
Insulation Resistance	>5,000MΩ @ 50VDC
Excitation Voltage (Recommended)	5V to 15V AC/DC
Excitation Voltage (Maximum)	18V AC/DC
Cable	4.6m, Ø5.0mm
Construction Material	Alloy Tool Steel
Protection	Nickel Plating, IP-67

## Accuweigh Pty Ltd

WESTERN AUSTRALIA (HEAD OFFICE):  
PHONE: (08) 9259 5535

SOUTH AUSTRALIA OFFICE:  
PHONE: (08) 8447 5011

NEW SOUTH WALES (SYDNEY) OFFICE:  
PHONE: (02) 9728 4877



[www.accuweigh.com.au](http://www.accuweigh.com.au)

VICTORIA OFFICE:  
PHONE: (03) 9548 5554

NEW SOUTH WALES (NEWCASTLE) OFFICE:  
PHONE: (02) 4966 8900

QUEENSLAND OFFICE:  
PHONE: (07) 3265 5520