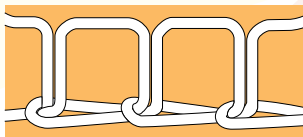


# NP-7A

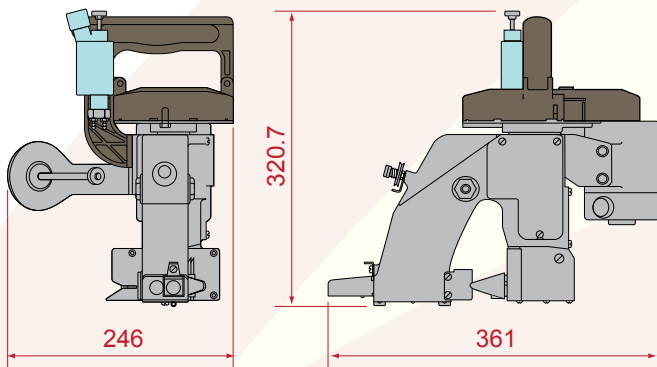
## PORTABLE BAG CLOSER

### APPLICATION

For minimal cost closing of all kinds of bags. Single thread chain stitch, with simple mechanism for easier maintenance. New type NP-7A is provided with a plastic handle and an auto-lubrication feature.



### DIMENSIONS



### TECHNICAL DATA

MODEL	NP-7A
Capacity	1,700 to 1,900 RPM
Stitch Range	8.5mm (Fixed)
Seam	Single Thread Chain Stitch
Thread Cutting	Automatic
Drive Motor	240VAC, 90W
Net Weight	5kg with Thread
Gross Weight	Approximately 8.7kg
Volumetric Measurement	Approximately 0.75m <sup>3</sup>



NEWLONG INDUSTRIAL  
CO. LTD. - JAPAN

**Accuweigh Pty Ltd**

WESTERN AUSTRALIA (HEAD OFFICE):  
PHONE: (08) 9259 5535

SOUTH AUSTRALIA OFFICE:  
PHONE: (08) 8447 5011

NEW SOUTH WALES (SYDNEY) OFFICE:  
PHONE: (02) 9728 4877



[www.accuweigh.com.au](http://www.accuweigh.com.au)

VICTORIA OFFICE:  
PHONE: (03) 9548 5554

NEW SOUTH WALES (NEWCASTLE) OFFICE:  
PHONE: (02) 4966 8900

QUEENSLAND OFFICE:  
PHONE: (07) 3265 5520