



AVERY T302

HIGH-CAPACITY COMPRESSION LOADCELL



**LOW-TORQUE ANTI-ROTATION LOAD BUTTON
ADVANCED INTERNAL LIGHTNING PROTECTION
HERMETICALLY SEALED 5mm THICK S/S CANISTER**

DESCRIPTION

The T302 Series is a hermetically sealed loadcell operating in compression to produce an analogue output which is proportional to the applied load.

T302 Series has a 100% stainless steel construction for an IP-68 rating and is available in capacities of 22.5t and 45t.

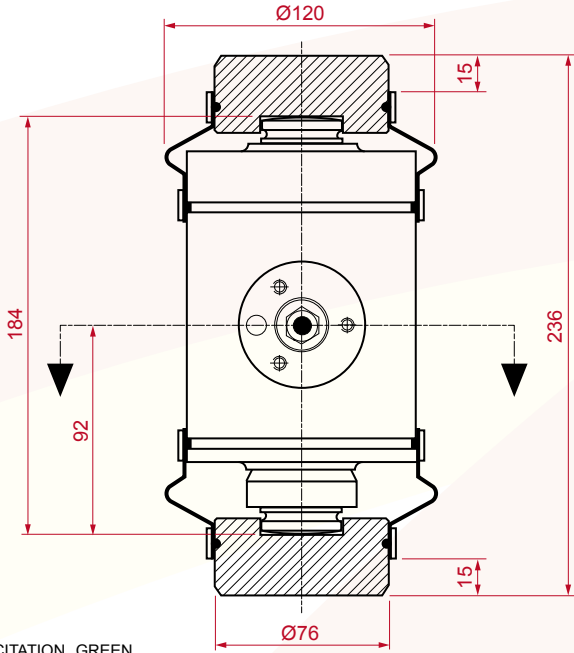
APPLICATIONS

- Road Weighbridges
- Rail Weighbridges
- Tank Weighing
- Hopper Weighing
- Process Control

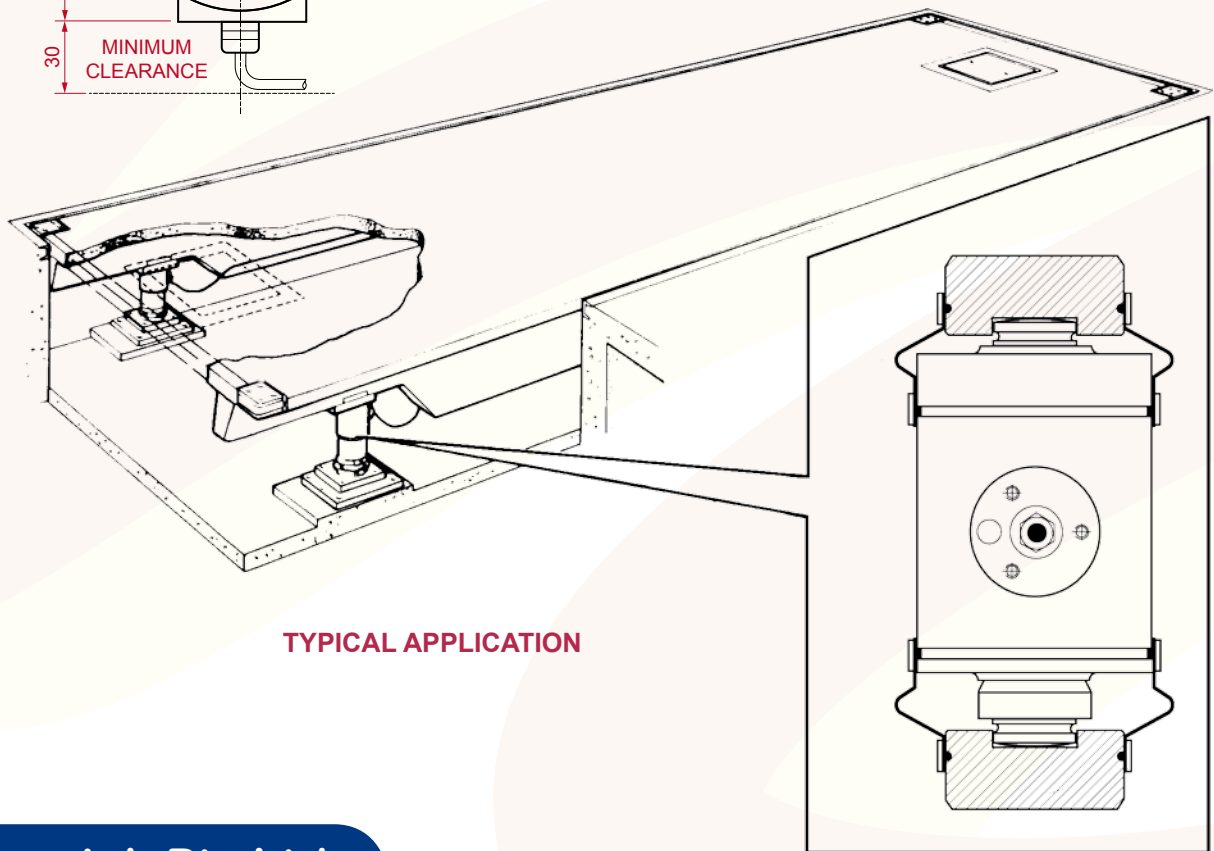
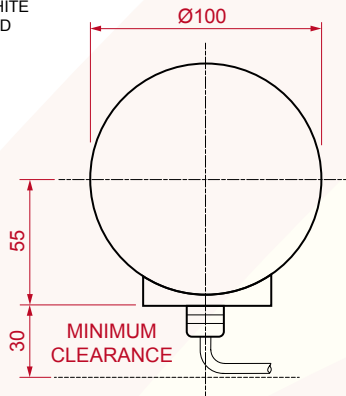
HIGHLIGHTS

- Capacities of 22.5t and 45t Approved for 4,000 Divisions, NMI No. S386
- 100% Stainless Steel Construction, IP-68
- Surge Arresters Fitted Internally to Provide Protection Against Lightning Damage
- Special Version, Approved for Use in Hazardous Areas to CENELEC Standards
- 40m Cable Length
- Supplied Ready-Assembled with Gaiters and Load Buttons for Simple Installation
- Unique, Low Torque, Anti-Rotation Load Button Design
- Fully Compatible with the 8701 for Trade Approved as Well as Non-Trade Applications
- An Electrically, Mechanically and Chemically Tough Polyurethane Sheathed Cable
- Custom Designed to Obtain the Optimum Electrical Balance Properties Required for High Accuracy Weighing Applications in Industrial Environments

DIMENSIONS



+EXCITATION GREEN
-EXCITATION BLACK
+SIGNAL WHITE
-SIGNAL RED



TYPICAL APPLICATION

SPECIFICATIONS

Rated Output	1.75mV/V \pm 0.1%
Maximum Safe Overload	150% of Rated Capacity
Ultimate Failure Load	225% of Rated Capacity
Combined Error	\pm 0.03% of Rated Capacity
Zero Balance	\pm 1% of Rated Capacity
Repeatability	0.01% of Rated Capacity
30 Minute Creep	\pm 0.01% of Rated Capacity
Recommended Excitation Voltage	10V-12V DC or AC
Maximum Excitation Voltage	20V DC or AC
Input Terminal Resistance	560 Ω to 620 Ω
Output Terminal Resistance	480 Ω Nominal
Insulation Resistance	Greater Than 5000M Ω
Temperature Effect on Zero	0.0008% of Rated Output/10 $^{\circ}$ C
Temperature Effect on Span	0.0009% of Rated Output/10 $^{\circ}$ C

Accuweigh Pty Ltd

WESTERN AUSTRALIA (HEAD OFFICE):
PHONE: (08) 9259 5535

SOUTH AUSTRALIA OFFICE:
PHONE: (08) 8447 5011

NEW SOUTH WALES (SYDNEY) OFFICE:
PHONE: (02) 9728 4877



www.accuweigh.com.au

VICTORIA OFFICE:
PHONE: (03) 9548 5554

NEW SOUTH WALES (NEWCASTLE) OFFICE:
PHONE: (02) 4966 8900

QUEENSLAND OFFICE:
PHONE: (07) 3265 5520