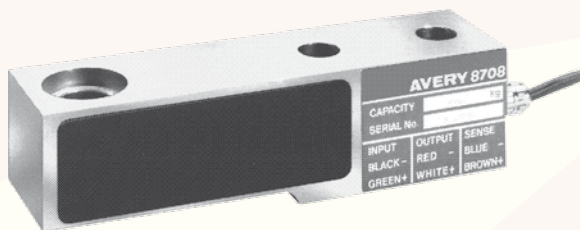


AVERY 8708 SHEARBEAM LOADCELL

by
Avery Weigh-Tronix



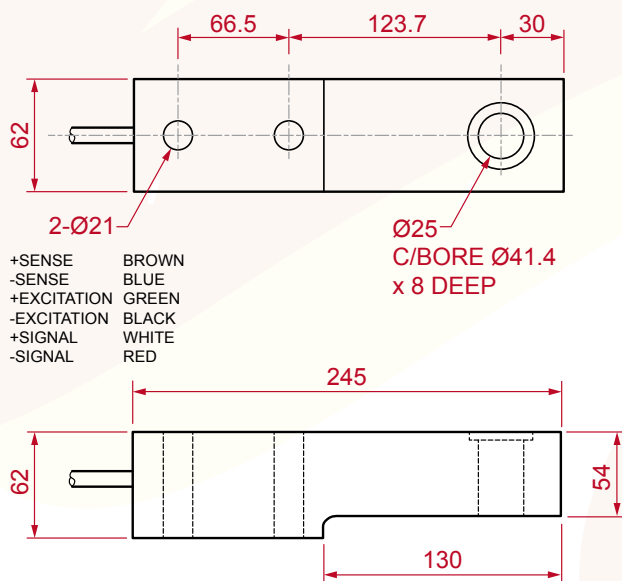
DESCRIPTION

The 8708 is a precision, 7,000kg capacity single-bridge shearbeam loadcell designed for use in low profile platform scales and mechanical scale conversions. These loadcells are mounted at one end and the load applied to the free end.

APPLICATIONS

- Low Profile Platform Scales
- Loadcell in Mechanical Scale Conversions
- Hoppers, Tanks and Silos
- Overhead Track Scales
- Engine Test Stands
- Dynamometers

DIMENSIONS



HIGHLIGHTS

- Trade Approved (NMI No. S176B)
- Exceptional Accuracy (1/4,000)
- Low Profile, Simple to Install
- Insensitive to Side Loads
- Excellent Repeatability
- Small Creep and Hysteresis Errors
- Output Matched During Calibration
- Special Version Approved for Use in Hazardous Areas to CENELEC Standards
- IP-65 and IP-67 Rated
- Strain Gauges are Triple Protected by a Neoprene Rubber Layer Encased in Flexible Polyurethane Encapsulant and Covered with a Butyl Rubber Seal

SPECIFICATIONS

Rated Output	1.75mV/V ±0.1%
Maximum Safe Overload	150% of Rated Capacity
Maximum Side Load	100% of Rated Capacity
Ultimate Failure Load	300% of Rated Capacity
Combined Error	±0.020% of Rated Capacity
Zero Balance	±1% of Rated Capacity
Repeatability	0.010% of Rated Capacity
Recommended Excitation Voltage	10V DC or AC
Maximum Excitation Voltage	17V DC or AC
Input Terminal Resistance	390Ω Nominal
Output Terminal Resistance	350Ω Nominal
Insulation Resistance	Greater Than 5000MΩ
Temperature Effect on Zero	0.001% of Rated Output/10°C
Temperature Effect on Span	0.0025% of Rated Output/10°C
Deflection at Rated Load	5mm Nominal

Accuweigh Pty Ltd

WESTERN AUSTRALIA (HEAD OFFICE):
PHONE: (08) 9259 5535

SOUTH AUSTRALIA OFFICE:
PHONE: (08) 8447 5011

NEW SOUTH WALES (SYDNEY) OFFICE:
PHONE: (02) 9728 4877



www.accuweigh.com.au

VICTORIA OFFICE:
PHONE: (03) 9548 5554

NEW SOUTH WALES (NEWCASTLE) OFFICE:
PHONE: (02) 4966 8900

QUEENSLAND OFFICE:
PHONE: (07) 3265 5520