

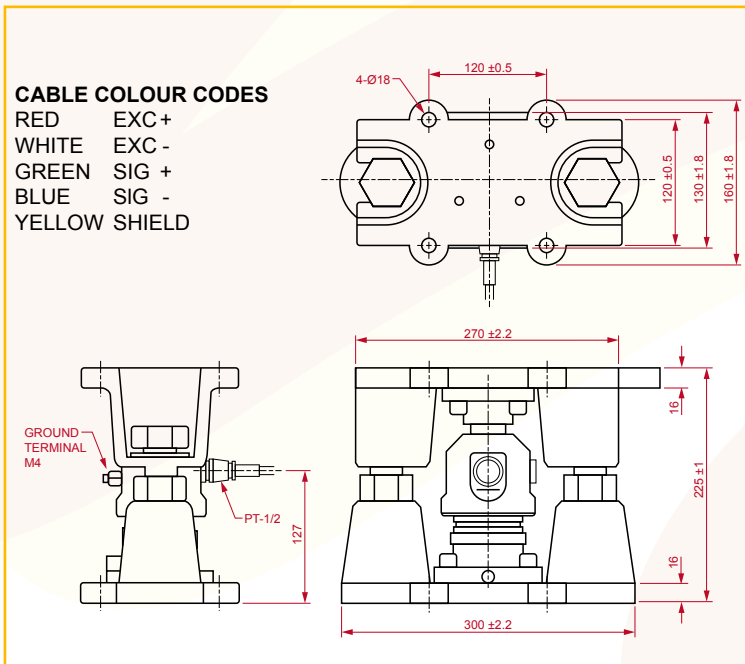
LCC12 SERIES IP-68 STAINLESS STEEL MULTI-POINT LOADCELL



by

A&D
A&D MERCURY PTY LTD

DIMENSIONS



MODEL	CAPACITY
LCC12T010-K	100kN (10.20t)
LCC12T020-K	200kN (20.39t)
LCC12T030-K	300kN (30.59t)

HIGHLIGHTS

- Hermetically Sealed Stainless Steel Construction Protection from Water, Moisture and Corrosion
- Advanced Load Design for Tanks and Hoppers
- Compression Type
- Mount Assembly (Anti-Vibration and Floating Protection Mechanism)

SPECIFICATIONS

Rated Output	2mV/V \pm 0.1%
Maximum Safe Overload	150% of Rated Capacity
Combined Error	\pm 0.03% of Rated Capacity
Zero Balance	\pm 1% of Rated Output
Recommended Excitation Voltage	5V to 12VDC
Maximum Excitation Voltage	15VDC
Input Terminal Resistance	800 Ω \pm 80 Ω
Output Terminal Resistance	2,200 Ω \pm 10 Ω
Insulation Resistance	Greater Than 5000M Ω /50VDC
Operating Temperature	-20 $^{\circ}$ C to +60 $^{\circ}$ C
Temperature Effect on Zero	0.019% of Rated Output/10 $^{\circ}$ C
Temperature Effect on Span	0.010% of Rated Output/10 $^{\circ}$ C
Cable Diameter/Length	\varnothing 8mm, 12m
Environmental Rating	IP-68
Allowance for Horizontal Force	75kN
Allowance for Floating Force	80kN

Accuweigh Pty Ltd

WESTERN AUSTRALIA (HEAD OFFICE):
PHONE: (08) 9259 5535

SOUTH AUSTRALIA OFFICE:
PHONE: (08) 8447 5011

NEW SOUTH WALES (SYDNEY) OFFICE:
PHONE: (02) 9728 4877



ACCUWEIGH

www.accuweigh.com.au

VICTORIA OFFICE:
PHONE: (03) 9548 5554

NEW SOUTH WALES (NEWCASTLE) OFFICE:
PHONE: (02) 4966 8900

QUEENSLAND OFFICE:
PHONE: (07) 3265 5520