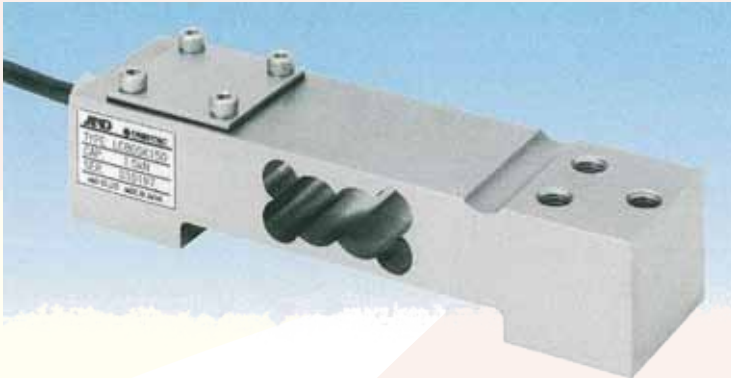


LCB05 SERIES

IP-67 STAINLESS STEEL

SINGLE-POINT LOADCELL



SPECIFICATIONS

Rated Output	2mV/V -15%/-0%
Maximum Safe Overload	150% of Rated Capacity
Combined Error	±0.03% of Rated Capacity
Zero Balance	±5% of Rated Output
Recommended Excitation Voltage	12VDC
Maximum Excitation Voltage	15VDC
Input Terminal Resistance	Approximately 390Ω
Output Terminal Resistance	350Ω ±5Ω
Insulation Resistance	Greater Than 5000MΩ/50VDC
Operating Temperature	-10°C to +40°C
Temperature Effect on Zero	0.04% of Rated Output/10°C
Temperature Effect on Span	0.014% of Rated Output/10°C
Cable Diameter/Length	Ø5.6mm, 3m
Environmental Rating	IP-67

MODEL	CAPACITY
LCB05K030	300N (30.59kg)
LCB05K060	600N (61.18kg)
LCB05K150	1.5kN (153.0kg)

HIGHLIGHTS

- Hermetically Sealed Stainless Steel Construction Protection from Water, Moisture and Corrosion
- Ideal for Applications in Harsh Environments
- Maximum Platform Size: 400mm x 400mm
- Calibrated for Four Corner Loads
- Both Tension and Compression Usage

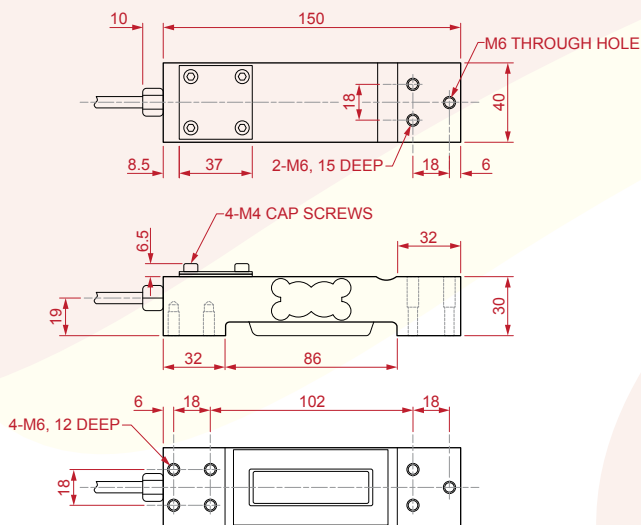
CABLE COLOUR CODES

RED EXC+
WHITE EXC-
GREEN SIG+
BLUE SIG-
YELLOW SHIELD

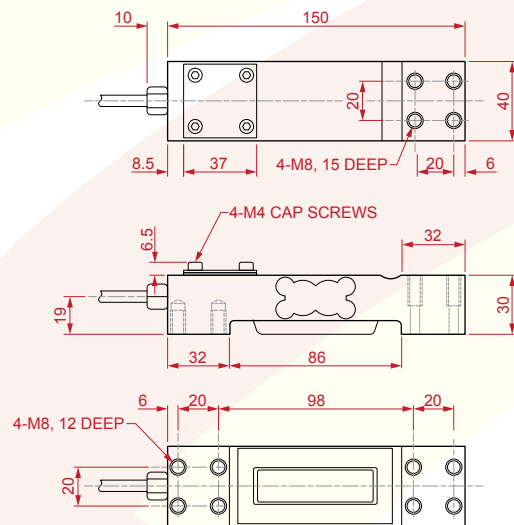
by
AND
A&D MERCURY PTY LTD

DIMENSIONS

LCB05K030/K060



LCB05K150



Accuweigh Pty Ltd

WESTERN AUSTRALIA (HEAD OFFICE):
PHONE: (08) 9259 5535

SOUTH AUSTRALIA OFFICE:
PHONE: (08) 8447 5011

NEW SOUTH WALES (SYDNEY) OFFICE:
PHONE: (02) 9728 4877



www.accuweigh.com.au

VICTORIA OFFICE:
PHONE: (03) 9548 5554

NEW SOUTH WALES (NEWCASTLE) OFFICE:
PHONE: (02) 4966 8900

QUEENSLAND OFFICE:
PHONE: (07) 3265 5520