



GR SERIES ANALYTICAL BALANCES

The GR Series is a high performance Semi-Micro Analytical Balance with up to 0.01mg resolution and has automatic self-calibration and an ergonomical design. The GR Series requires approximately 30% less footprint space compared to conventionally designed balances. The weighing chamber is tall enough to accommodate the largest beakers.

by **A&D**
A&D MERCURY PTY LTD

FEATURES

EASY ACCESS DOOR SYSTEM

A unique door opening system allows an operator to conveniently open or close the left or right weighing chamber through a front door control lever. This allows quick, efficient access to the weighing chamber door without leaning, bending or stooping.

13 MULTIPLE WEIGHING UNITS

g, mg, pcs, %, oz, ozt, ct, mom, dwt, GN, tl, t, m

TWO LAYER HOUSING CONSTRUCTION

Durable and minimising negative effects of ambient temperature changes.

SPLASH PROOF KEYBOARD AND DISPLAY

Protects from dust and spills.

DATA MEMORY FUNCTION

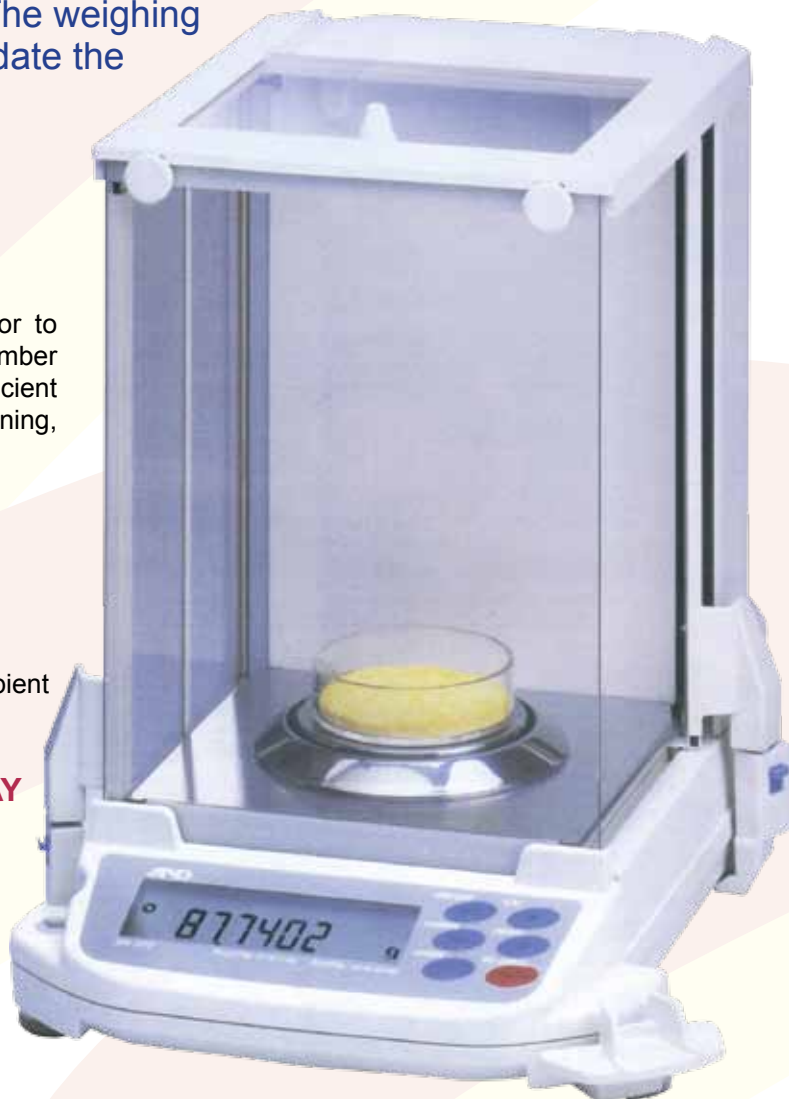
Stores up to 200 sets of weighing data. Data can be output by numerical codes.

AUTOMATIC ADJUSTABLE ENVIRONMENT SETTING

Adapts to the most suitable Environment Response Setting automatically to minimize effect of external disturbances. The response annunciator shows "FAST", "MID" and "SLOW" on the display.

GLP COMPLIANCE

Allows GLP or LIMS balance management by outputting the Balance ID number and weight used to calibrate the balance. The data can be output to A&D's AD-8121 printer or a computer, indicating date, time, Balance ID number and calibration weight.



A & D	
MODEL	GR-200
S/N	14200334
ID	ABCDEFGHIJ
DATE 98/07/12	
05:28:52 PM	
CAL. TEST(EXT.)	
ACTUAL	0.0000 g
	+199.9989 g
TARGET	+200.0000 g
SIGNATURE	



OPEN LEFT OR RIGHT DOOR FROM FRONT



AUTOMATIC SELF CALIBRATION

Performs self calibration automatically when a change of ambient temperature exceeds the preset temperature range.

ONE TOUCH CALIBRATION

Allows quick calibration with one press of the CAL key.

QUICK REFERENCE CARD

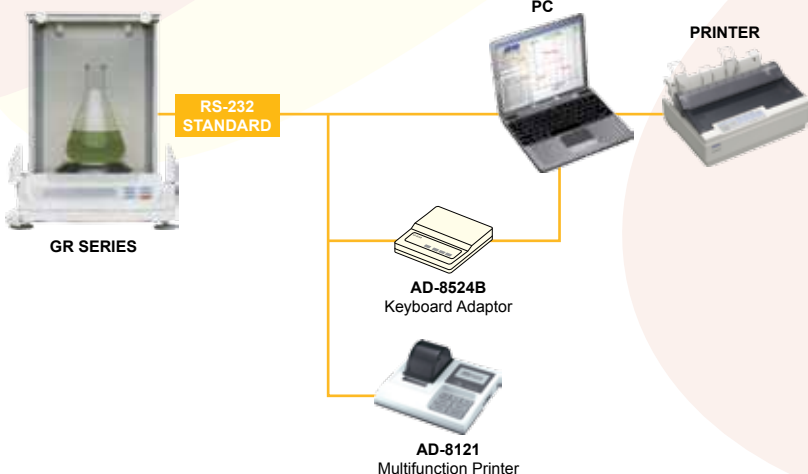
A fast, convenient operation guide.

STANDARD UNDERHOOK

Ideal for density determination and weighing magnetic substances.

STANDARD RS-232C

Enables bi-directional communication with a PC or printer.



SPECIFICATIONS

MODEL	GR-202 (Dual Interval Scale)		GR-200	GR-120
	Capacity	210g	42g	210g
Resolution	0.1mg	0.01mg	0.1mg	0.01mg
Repeatability	0.1mg	0.03mg	0.01mg	
Linearity	±0.2mg	±0.1mg	±0.2mg	
Sensitivity Drift	±2ppm/°C			
Approx. Stabilisation Time	3.5s	8s	3.5s	
Weighing Units	g, mg, oz, ozt, ct, dwt, mom, GN, tola, tael, %, pcs			
Operating Temperature	5°C to 40°C, <85% Relative Humidity			
Display	LCD			
Display Refresh Rate	5Hz			
Counting Minimum Unit Mass	0.1mg			
Percent Mode	0.01%			
Weight	6.0kg			
Standard Accessories	Manual, AC Adaptor, Reference Card			

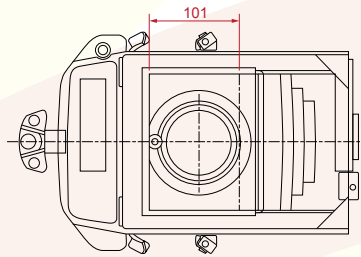
PERIPHERALS

AD-1653: Density Determination Kit
 AD-8121B: Dot Matrix Compact Printer
 AD-8118B: Universal Printer

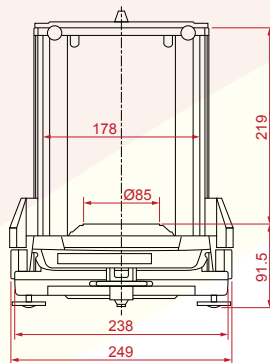


AD-1653 DENSITY DETERMINATION KIT

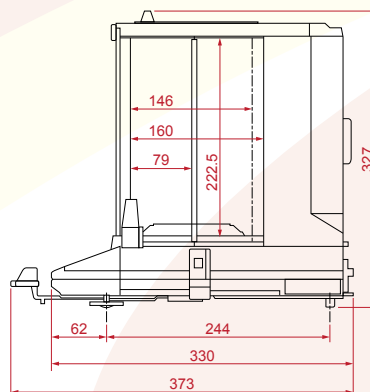
DIMENSIONS



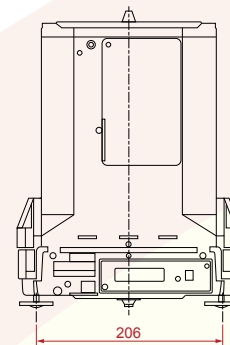
TOP VIEW



FRONT VIEW



SIDE VIEW



REAR VIEW

Accuweigh Pty Ltd

WESTERN AUSTRALIA (HEAD OFFICE):
PHONE: (08) 9259 5535

SOUTH AUSTRALIA OFFICE:
PHONE: (08) 8447 5011

NEW SOUTH WALES (SYDNEY) OFFICE:
PHONE: (02) 9728 4877



www.accuweigh.com.au

VICTORIA OFFICE:
PHONE: (03) 9548 5554

NEW SOUTH WALES (NEWCASTLE) OFFICE:
PHONE: (02) 4966 8900

QUEENSLAND OFFICE:
PHONE: (07) 3265 5520