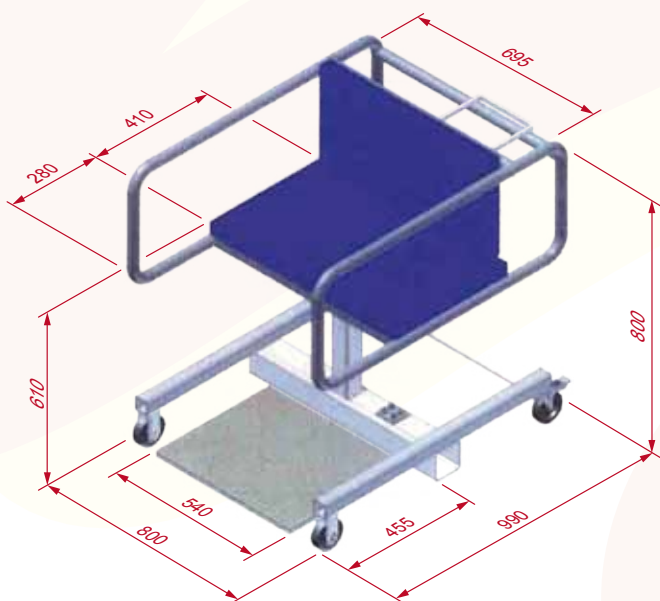


BARIATRIC CHAIR SCALE



**MODEL BCS
BARIATRIC CHAIR SCALE**

DIMENSIONS



HIGHLIGHTS

- Purpose Built for Bariatric Patients
- 500kg Weighing Capacity
- Extra Large Seating Area
- Ergonomic Design
- Highly Portable

FEATURES

- **High Quality Construction**
Maximum Strength
- **Large Weighing Capacity**
500kg Maximum Weight
- **High Accuracy**
0.1kg Increments
- **Ample Seating Area**
700mm Width by 400mm Depth
- **Strong Stainless Steel Armrests**
For Patient Safety and Comfort
- **Spring Loaded Foot Plate**
Ease of Access for Patients
- **High Quality Wheels**
Simple to Move, Even by the Smallest Staff Member
- **High Quality Vinyl Padded Seating**
Ensuring Patient Comfort and Infection Control
- **Lockable Wheels**
For Patient Safety
- **Standard Data Output**
Transfer Weight Data to a PC or Printer
- **Dual Power**
Use 6 x "D"-Size Batteries or AC Adaptor
- **Multi-Position Indicator**
Can be Viewed from the Front or Rear

by **AND**
A&D MERCURY PTY LTD

Accuweigh Pty Ltd

WESTERN AUSTRALIA (HEAD OFFICE):
PHONE: (08) 9259 5535

SOUTH AUSTRALIA OFFICE:
PHONE: (08) 8447 5011

NEW SOUTH WALES (SYDNEY) OFFICE:
PHONE: (02) 9728 4877



ACCUWEIGH

www.accuweigh.com.au

VICTORIA OFFICE:
PHONE: (03) 9548 5554

NEW SOUTH WALES (NEWCASTLE) OFFICE:
PHONE: (02) 4966 8900

QUEENSLAND OFFICE:
PHONE: (07) 3265 5520