



# AP-30 Mk III

## POSTAL SCALE

by **AND**  
A&D MERCURY PTY LTD

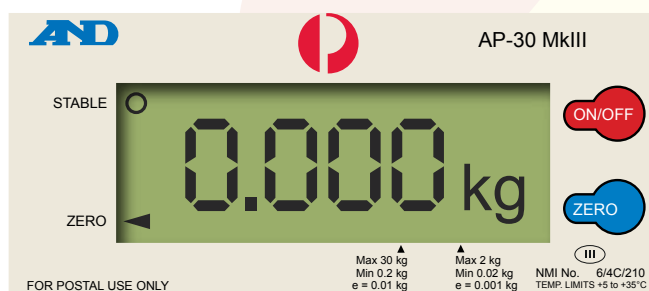


Australia's Preferred  
Postal Scale

Dual Range:  
2000g x 1g  
and 30kg x 0.01kg

### FEATURES

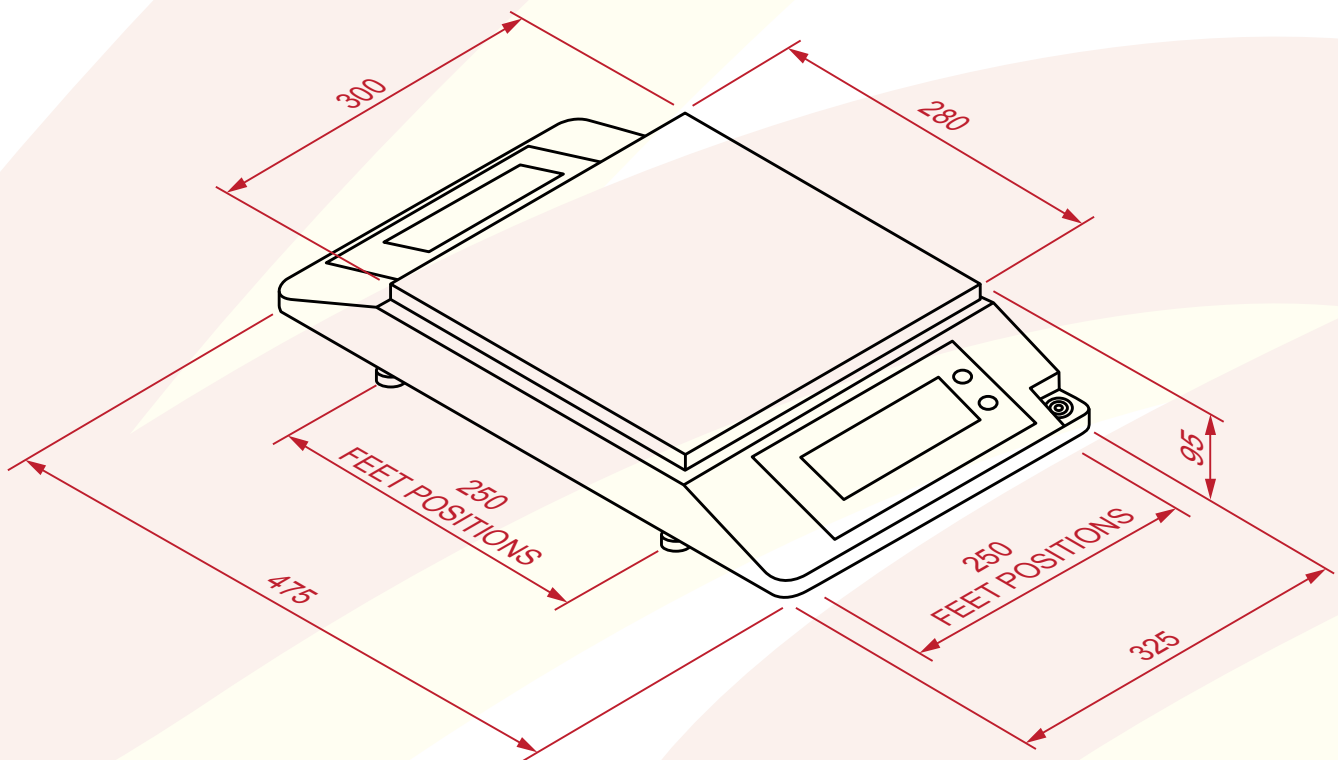
- **Dual Range Operation**  
Maximum accuracy when weighing letters and parcels.
- **Dual Liquid Crystal Displays**  
Both operator and customer can see the weight.
- **Triple Data Outlets**  
Weight transfer to up to two EPOS stations and one remote display.
- **Automatic Weight Transmission**  
When weight is stable the data is automatically sent to the EPOS station.
- **Large Character Displays**  
Easy to read by operator and customer.
- **Fully Approved by NMI**  
Allows the scale to be used for calculating postage charges.
- **Low Profile and Small Footprint**  
Saves on the required bench space for efficient operation.
- **AC Mains or Battery Power**  
Allows use of the scale in areas where the power supply is not reliable.



## SPECIFICATIONS

Capacity	2000g/30kg Dual Range (Automatic Sswitching)
Resolution	1g Up to 2000g and 10g Up to 30kg
Pan Material	Stainless Steel
Pan Size	280mm x 280mm
Enclosure	Fibreglass Casing
Display Type	Liquid Crystal with 25mm High Characters
Operating Temperature	5°C ~ 35°C
Dimensions	325mm(W) x 475mm(D) x 95mm (Minimum) to 100mm (Maximum)(H)
Power Requirements	240VAC Adaptor (Supplied) or 6 x 'C' Size Batteries (Optional)
AP-30MkIII Weight	10kg
Standard Accessories	AC Adaptor, Manual, 2 x EPOS Cables and Height Extension Feet
Option	Extension RS-232C Adaptor Cable 0.5m Long to suit AP Series MKI Connector Wiring

## DIMENSIONS



## Accuweigh Pty Ltd

WESTERN AUSTRALIA (HEAD OFFICE):  
PHONE: (08) 9259 5535

SOUTH AUSTRALIA OFFICE:  
PHONE: (08) 8447 5011

NEW SOUTH WALES (SYDNEY) OFFICE:  
PHONE: (02) 9728 4877



[www.accuweigh.com.au](http://www.accuweigh.com.au)

VICTORIA OFFICE:  
PHONE: (03) 9548 5554

NEW SOUTH WALES (NEWCASTLE) OFFICE:  
PHONE: (02) 4966 8900

QUEENSLAND OFFICE:  
PHONE: (07) 3265 5520