

AD-4541-V/I

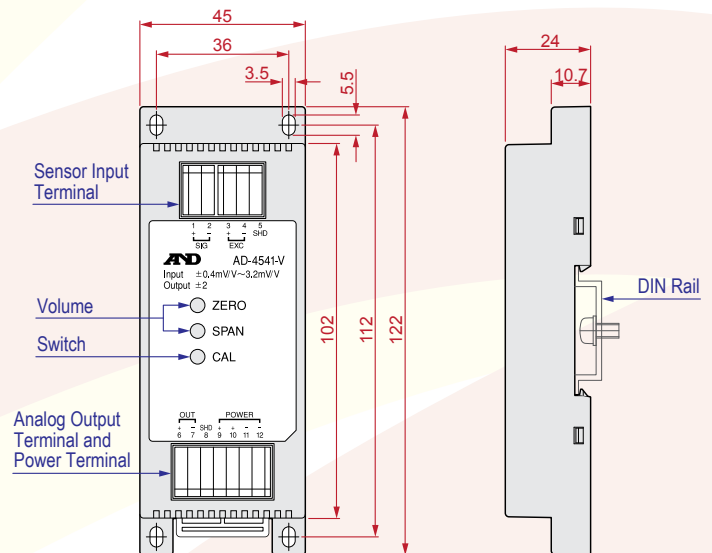
ULTRA-SLIM ANALOG SIGNAL CONDITIONER



The AD-4541-V and AD-4541-I analog signal conditioners can convert the signal received from a bridge type sensor such as a loadcell, pressure sensor, strain gauge, etc. to a voltage output (AD-4541-V / -2V to +2V) or a current output (AD-4541-I / 4-20mA).

by
AND
A&D MERCURY PTY LTD

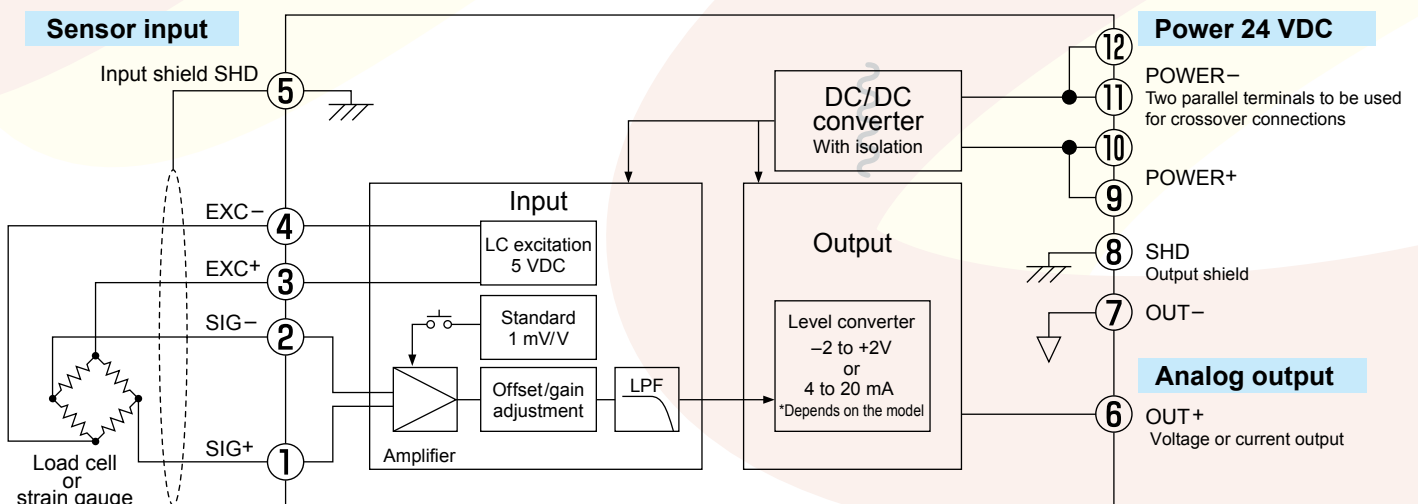
DIMENSIONS



HIGHLIGHTS

- Ultra-slim, Lightweight and Easy-to-Install
- Calibration Can be Performed with the Zero/ Span Volume Controls or the CAL Switch
- Provides a Wide-Range Zero Adjustment ($\pm 0.5\text{mV/V}$)/Span Adjustment ($0.4\sim 3.2\text{mV/V}$) for Use with Various Bridge Type Sensors
- No Crimping Terminal is Necessary Because a Spring Clamp Terminal Block is Used for Easy Wiring

BLOCK DIAGRAM



SPECIFICATIONS

INPUT	
Input Range	-3.2 mV/V to +3.2 mV/V
Zero Adjustment	-0.5 mV/V to +0.5 mV/V
Span Adjustment	0.4 mV/V to 3.2 mV/V
Non-Linearity	0.05% of Full Scale (Typical)
Loadcell Excitation	5VDC, 60mA Maximum (Can be Used with 4 x 350Ω Loadcells)
Zero Temperature Coefficient	2μV/°C RTI Typical
Span Temperature Coefficient	200ppm/°C Typical
Frequency Response	DC to 2Hz (-3dB)
Response	Approximately 190ms (0% to 90%)
Input Noise	2μVp-p RTI Typical Frequency Range 0.1Hz to 10Hz
Calibration Standard	1mV/V ±0.2% Typical
OUTPUT	
Voltage Output (AD-4541-V)	-2V to +2V (Load 2kΩ or Higher)
Current Output (AD-4541-I)	4mA to 20mA (Load 250Ω or Lower)
POWER	
Voltage	24VDC +10%/-15%
Current	100mA Maximum (Approximately 2.4W)
GENERAL	
Operating Temperature	-5°C to +50°C
Operating Humidity	85% RH or Lower (No Condensation)
Storage Temperature	-20°C to +70°C
External Dimensions	45mm(W) x 122mm(H) x 24mm(D)
Mass	Approximately 90g
OTHER	
Terminal	Spring Clamp Type Wire 0.08mm ² to 1.5mm ² (AWG 28-14) Maximum Outer Diameter 3.4mm
Installation	DIN Rail or Screw
Material (Body)	PBT (V0)
Isolation	Input Output to Power Supply
Insulation Resistance	500VDC for 1 Minute
Accessories	Flathead Screwdriver, Instruction Manual

Accuweigh Pty Ltd

WESTERN AUSTRALIA (HEAD OFFICE):
PHONE: (08) 9259 5535

SOUTH AUSTRALIA OFFICE:
PHONE: (08) 8447 5011

NEW SOUTH WALES (SYDNEY) OFFICE:
PHONE: (02) 9728 4877



www.accuweigh.com.au

VICTORIA OFFICE:
PHONE: (03) 9548 5554

NEW SOUTH WALES (NEWCASTLE) OFFICE:
PHONE: (02) 4966 8900

QUEENSLAND OFFICE:
PHONE: (07) 3265 5520